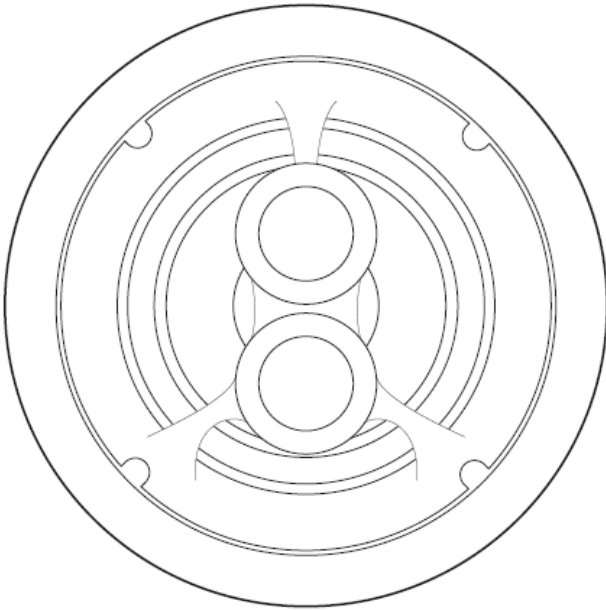


IC-6 OBA

Object Based Audio

In-Ceiling Loudspeaker



Atlantic
TECHNOLOGY

Instruction Manual

Table of Contents

- 3 Description
- 3 Speaker Placement
- 5 Installation
- 6 Painting the grille
- 6 Specifications
- 7 Warranty

Model: IC-6 OBA

Object Based Audio In-Ceiling Loudspeaker

Thank you for choosing Atlantic Technology products. Your new speaker is precision-crafted to give you years of enjoyable, trouble-free service. This manual covers the Atlantic Technology IC-6 OBA In-Ceiling loudspeaker. It will show you how to incorporate this speaker into your home theater setup.

The IC-6 OBA can be used with current and past sound formats from Dolby, DTS and Auro.

For Future Reference

Record the serial number and date of purchase for the speaker here. The serial number is found on the back of the enclosure.

Serial number: _____

Date of Purchase: _____

Unpacking the Speaker

Use care when unpacking the speaker. Remember to save all packing materials until you are certain that the speaker has not suffered damage in shipment. If you find such damage, either visible or internal, contact your dealer immediately.

The contents of this manual are Copyright © 2015 by Atlantic Technology International, Corp., and may not be duplicated or reproduced by any means, whether physical, electronic or otherwise without prior written consent from Atlantic Technology International, Corp.

Atlantic Technology and the Atlantic Technology logo are registered trademarks of Atlantic Technology International, Corp.

Specifications are those in effect at the time of printing. As part of our ongoing program of continuous product improvement, Atlantic Technology reserves the right to change specifications or appearance at any time without notice or obligation to modify existing product.

Description

The Atlantic Technology IC-6 OBA speaker was specifically designed to be used as the “elevation” component in an Object Based Audio system like Dolby Atmos, Auro and DTS-X surround systems.

The Atlantic Technology research and engineering team developed the IC-6 OBA to deliver the excitement and realism of Object Based Audio encoded soundtracks with startling impact and holographic, three-dimensional realism. The IC-6 OBA’s frequency response and radiation pattern have been specifically engineered to provide wide dispersion to eliminate hot spots that occur with standard in-ceiling speakers.

What is Object Based Audio?

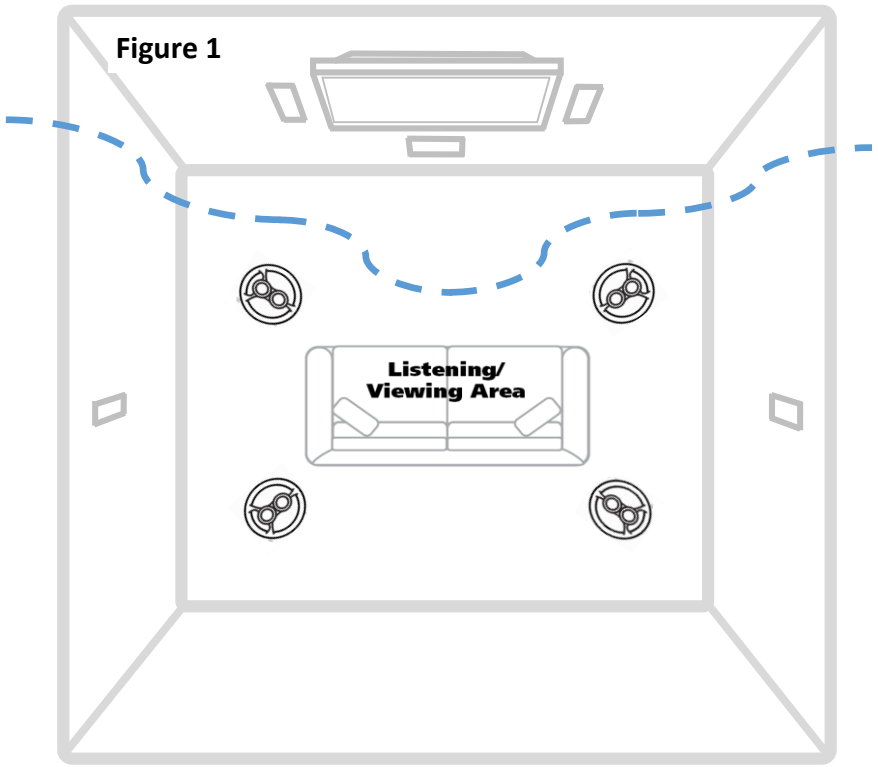
Object Based Audio adds the essential characteristic that’s been missing from the home theater experience: the sense of true audible three-dimensionality. Object Based Audio-encoded movies deliver this experience like no other movie format can.

You’ll get a great immersive experience, no matter what kind of Object Based Audio home theater setup you have. The audio is mixed as audio objects instead of traditional channels. This means the content is not tied to any specific playback configuration. Further, the technology automatically adapts the object audio to take full advantage of the number and placement of your speakers, from systems with five speakers on the floor and two speakers producing overhead sound to a system with as many as 24 speakers on the floor and 10 speakers producing overhead sound.

Additionally, the surround up-mixer used in today’s A/V receivers and Processors allows for legacy channel-based content that has not been mixed for Object Based Audio to be expanded to fill the flexible speaker layouts of an Object Based Audio system, providing a new dimension to your old movies.

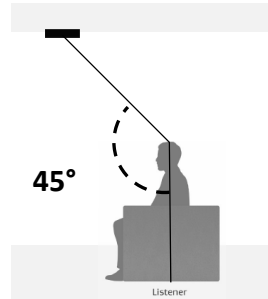
Speaker Placement

Front “elevation” speakers should be positioned forward and to the sides of the listening area. Rear “elevation” speakers should be positioned behind and to the sides of the listening area. See figure 1.



Ideally the IC-6 OBA should be 45° off axis from the listening position

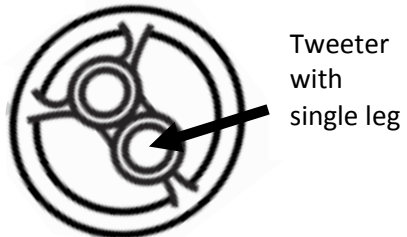
Figure 2



IMPORTANT:

After inserting the speaker into the mounting hole, rotate the assembly so the tweeter with the single leg is facing the listening area.

Figure 3



New Construction and Retrofit Installations

Mounting Hole Specifications:

Diameter = 8 in., 202mm; Depth = 4 1/4 in., 108mm

1 Cut an appropriately sized opening in the ceiling material. Be sure that the ceiling material can support the weight of the speaker. Also be sure that the sides of the opening are at least 1 1/2 inches away from any beams or obstructions within the cavity. If they are not, the rotating clamps will be restricted in their movement and may not clamp properly.

2 Be sure that all foreign material in the ceiling is kept out of the speaker assembly, particularly the back of the woofer cone. There is a cloth shield on the rear of the woofer, but please use care anyway.

3 Attach the speaker wires that have been already run through the ceiling to the speaker terminals. Remove 1/2 inch of insulation from the end of each wire. Push down on the terminal connector and an opening will appear in the connector that is capable of holding heavy gauge wire.

Insert the bare wire into the opening and release the terminal. Be sure to observe correct polarity, connecting the positive (+) leads to the red terminals and the negative (-) leads to the black terminals. Also be sure that no stray strands of wire touch across any terminals.

4 Insert the speaker assembly into the cutout. Rotate it so the tweeter with the single leg is facing the listening area. Loosen the mounting screws 1/2 turn, then tighten them, which will cause the attached clamps to unlock, rotate and position themselves properly behind the ceiling material. Continue to tighten until the frame is snug with the ceiling. You want the bezel to conform to the ceiling surface, and the frame not to rattle from the speaker's vibration, but **be very careful not to over tighten the screws.**

5 Install the grille onto the frame by placing it over the frame until it snaps to the magnets.

Figure 4

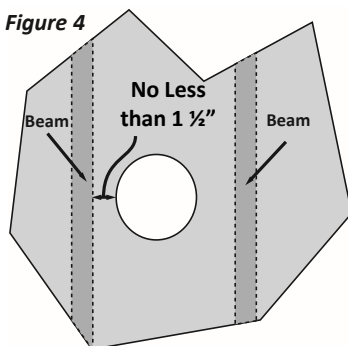
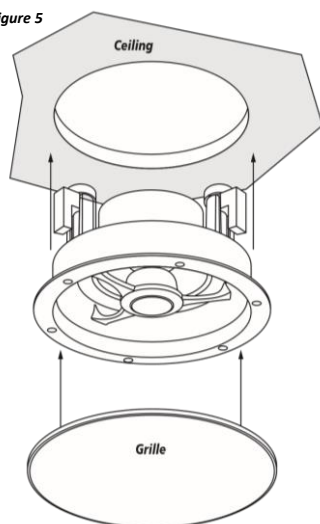


Figure 5

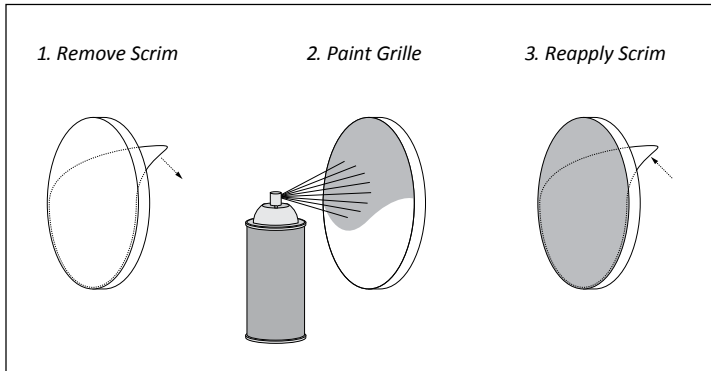


Painting the Grille

The grilles can be painted, if desired. We recommend doing this before installation. First, remove the white scrim cloth from behind the grille. The grille should only be spray painted very lightly to avoid clogging the fine mesh of the grille and restricting the sound. Once the grille is dry, replace the scrim cloth by gently placing it behind the grille. No adhesive is necessary—gravity will keep it in place.

Only install the grille after the paint has dried thoroughly.

Painting the grille



Specifications IC-6 OBA

Woofers: 6.5" mica loaded polypropylene cone, rubber surround, 1" voice coil, vented pole piece

Tweeter: Dual 1" silk dome, Ferro fluid cooled, neodymium magnet

Crossover: 2.7 kHz, 12db per octave crossover, PP capacitors, tweeter protection circuit

Frequency Response: 48Hz-22kHz

Sensitivity: 88dB

Recommended amplifier power: 10-140 watts per channel

Impedance: 6 Ohms

Cut-out size: 8" (202mm)

Mounting Depth: 4", (10.16 cm)

Weight: 3.6 lbs, (1.64 kg)

Optional Square Grill: SQ-GRILLS-6

IMPORTANT NOTE:

The power recommendation for this speaker assumes that you will not operate your amplifier/receiver in a way that produces distortion. Even rugged speakers like ours can be damaged by an amplifier driven into audible distortion. The harsh amplifier distortion ("clipping") that occurs in this situation will eventually cause damage to the speaker system. This type of damage may be cumulative and can build up over time, as the amplifier is driven into overload again and again. Such damage is easily identifiable through examination of the damaged speaker's voice coil and is not covered by the warranty.

Warranty

Thank you for purchasing an Atlantic Technology product. We wish you many years of enjoyment and satisfaction from it.

You do not need to send in anything to be covered by the Limited Warranty. All you need to do is keep your original Invoice or Bill of Sale for proof of purchase, meet the stated requirements, and follow the instructions listed within the Warranty. Please attach your Original Invoice or Bill of Sale to this manual as proof of purchase and keep them in a safe place.

VERY IMPORTANT NOTE: PLEASE NOTE THAT ATLANTIC TECHNOLOGY PRODUCTS CARRY ONLY A 90 DAY LIMITED WARRANTY. YOU MUST MEET ALL THE BELOW REQUIREMENTS AND REGISTER ONLINE IN ORDER TO BE COVERED BY THE FREE EXTENDED SERVICE AGREEMENT TO ASSURE EXTENDED FREE PROTECTION!!

Free Extended Service Agreement

Atlantic Technology offers a free Extended Service Agreement that provides enhanced protection against product defects. In order to qualify for the free Extended Service Agreement you must:

1. Have purchased your Atlantic Technology products from an Authorized Atlantic Technology Reseller or Installer.
2. Go to www.atlantictechnology.com and click on Support>Register Your Warranty. Fill out the required information. Be sure to have your home address, name, address and invoice from the business you purchased, and the serial numbers of all Atlantic Technology products purchased. **THIS MUST BE DONE WITHIN 30 DAYS OF PURCHASE.**
3. If you purchased multiple Atlantic Technology products you will be able to enter them all using one online form. Model and Serial numbers can be found on the back of each unit and on the outside of their respective boxes.

Once all the criteria have been met, you qualify for a free Extended Service Agreement that entitles you to additional coverage against defects in workmanship and manufacturing for a period of up to 5 years on passive speakers and up to 1 year on powered speakers (including subwoofers). This coverage is in addition to the 90 Day Limited Warranty included with all Atlantic Technology products.

If you are not able to register your product using the internet, please call customer service at 781.762.6300.

Limited Warranty

Statement of Warranty: Atlantic Technology International Corp. warrants Atlantic Technology Products to be free from defects in material and workmanship for 90 days from the time of original purchase. This Warranty covers the original retail purchaser of this product only and is valid only in the Continental United States, Alaska, and Hawaii and all US Possessions.

Extended Service Agreement (only available in the Continental United States, Alaska, and Hawaii and all US Possessions): You must Register your Warranty online, and have purchased your product(s) from an authorized Atlantic Technology reseller to receive the Extended Service that covers your Atlantic Technology products beyond the standard 90 day Warranty.

To obtain Warranty service: Please contact your local Atlantic Technology reseller to determine if they are an Authorized Repair Center for Atlantic Technology products. You will need your original Invoice or Bill of Sale to prove Warranty eligibility. If your local dealer is not an Authorized Warranty Center you may contact us at 781-762-6300 for further help or to send the product back to us for service and repair. You must first get a Return Authorization Number from us to ship the product back, so it is imperative that you call us first.

What we are responsible for: We will pay for all labor and parts for covered items. If the repairs are eligible for coverage under the terms of this Warranty we will also pay for return shipping charges to you.

What you are responsible for: You must pack the product properly for safe shipping to your Authorized Dealer or us. You are responsible to pay for all packing, shipping, and insurance costs to get the unit(s) back to Atlantic Technology or your Authorized Dealer.

Optional replacement: We, at our option, may replace rather than repair your Atlantic Technology product with a new or reconditioned one of the same or similar design. The repair or replacement will be warranted for 90 days from date of receipt back to you. All details in terms of eligibility for an Extended Service Agreement will carry over from the original purchase to the replacement item.

What this Warranty does not cover: This Warranty does not cover defects resulting from accidents, damage while in transit, alterations, unauthorized repair, failure to follow instructions, misuse, fire, flood, and Acts of God. This Warranty will be void if the product's serial number has been altered or removed or if the product has been modified or defaced.

Exclusions and Limitations: Implied warranties, including those of fitness for a particular purpose and merchantability (an unwritten warranty that the product is fit for ordinary use) are limited to the period of any Warranty granted hereby. We will not pay for loss of time, inconvenience, loss of use, or property damage caused by your Atlantic Technology product or its failure to work, or any other incidental or consequential damages.

State law rights: Some states do not allow the exclusion or limitation of incidental or consequential damages, so the above limitation or exclusion may not apply to you. This Warranty gives you specific legal rights, and you may have other rights which vary from state to state.

This Warranty is valid only when Atlantic Technology products are purchased from an Authorized Atlantic Technology Reseller in the Continental United States, Alaska, and Hawaii and all US Possessions. If you purchase Atlantic Technology products outside the United States please consult your local distributor or reseller for applicable Warranty coverage and restrictions.

Should you have any questions or problems please feel free to contact us at 781-762-6300 or through our web site, www.atlantictechnology.com.

